

BioMizing 3D

3D Modeling and 3D print



BioMizing ApS

Langelandsvej 12B, 5500 Middelfart, Denmark

Phone: +45 82820030

CVR: 42461725

WWW.BIOMIZING.COM

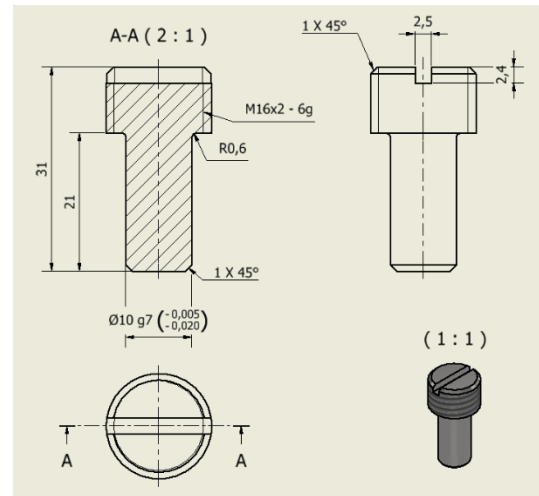
3D Modeling and 3D print



3D Print



3D Model



2D Drwang

Thumbnail	Part number	Rev.	QTY.	Description	Material form	Material	Where used
	202502-FE-06-122	-	8	Socket shaft	Round bar Ø16	S355	1 pcs in 202502-FE-06-021_5.0t, 1 pcs in 202502-FE-06-021_2.5t
	202502-FE-07-112	-	8	Multipurpose enclosure holder	Sheet 8 mm	EN 1.4301	1 pcs in 202502-FE-07-021

Component list

BioMizing offers:

- 3D Modeling and production of 2D drawings in Autodesk's Inventor (files can also be delivered in neutral formats)
- Component lists in Excel, created with Tick Tool (Tick Cad software)
- 3D print in different plastic types and colors in sizes 22x20x30

We use external supplies in cases that require calculations, CE-markings etc.

Among BioMizings 3D-tasks can the following be mentioned:

- 3D modelling and production basis: floor aeration at Nakskov wastewater treatment plant (Lolland Forsyning A/S)
- 3D modelling and 3D Print: development of spiral heat exchanger (Dansk Energi Service A/S)
- 3D modelling and production basis: transport auger for Horses Bioenergi ApS (Bigadan A/S)

Contact us for a nonbinding meeting and hear what we can offer you.