

## Example of one of our tasks:

**Project: Thisted Wastewater treatment plant, Denmark**

---



<b>Taks:</b> Optimized management of process air, the project included detailed design, delivery, assembly, and commissioning.
<b>Customer:</b> Thisted Vand A/S, operation manager Jesper Odder
<b>Year:</b> 2021

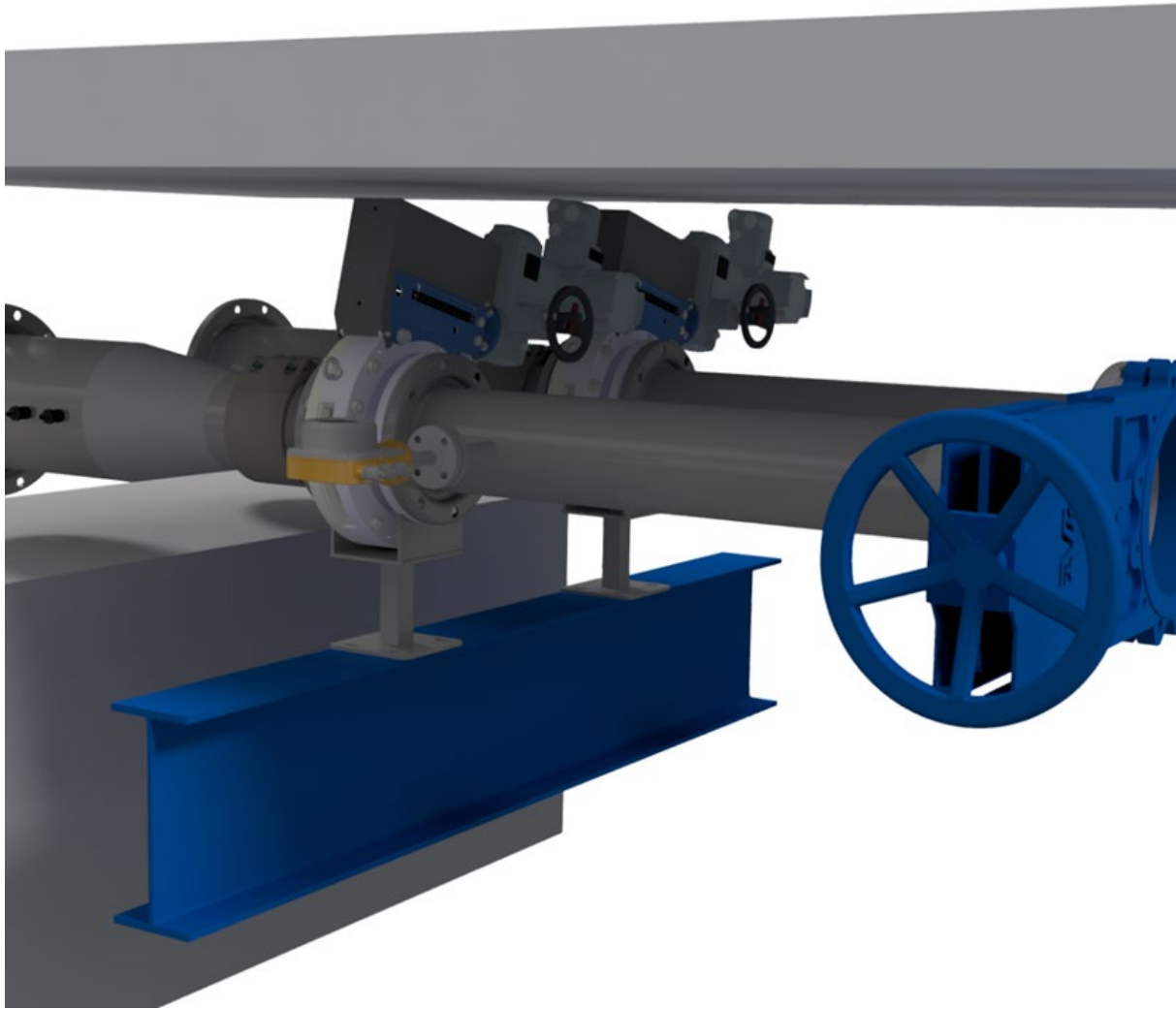
**BioMizing ApS**

Langelandsvej 12B, 5500 Middelfart, Denmark

Phone +45 82820030

CVR: 42461725

**WWW.BIOMIZING.COM**



***Project description:***

Complete 3D project including new pipe system, valves, flow meter etc. in fan cellar.  
(Replacement of mechanical equipment had to take place while the plant was in operation.)

***Scope of work:***

Dismantling of e.g., pipes and valves etc. manufacture, delivery and mounting of new pipes, delivery and mounting of new fittings including 2 pcs. DN300 AVK spade valves, 2 pcs. DN200 Egger Iris valves, 2 pcs. ABB Sensymaster flow meters, compensators, pipe couplings etc. as well as installation of new relaxation valves on supply pipes.